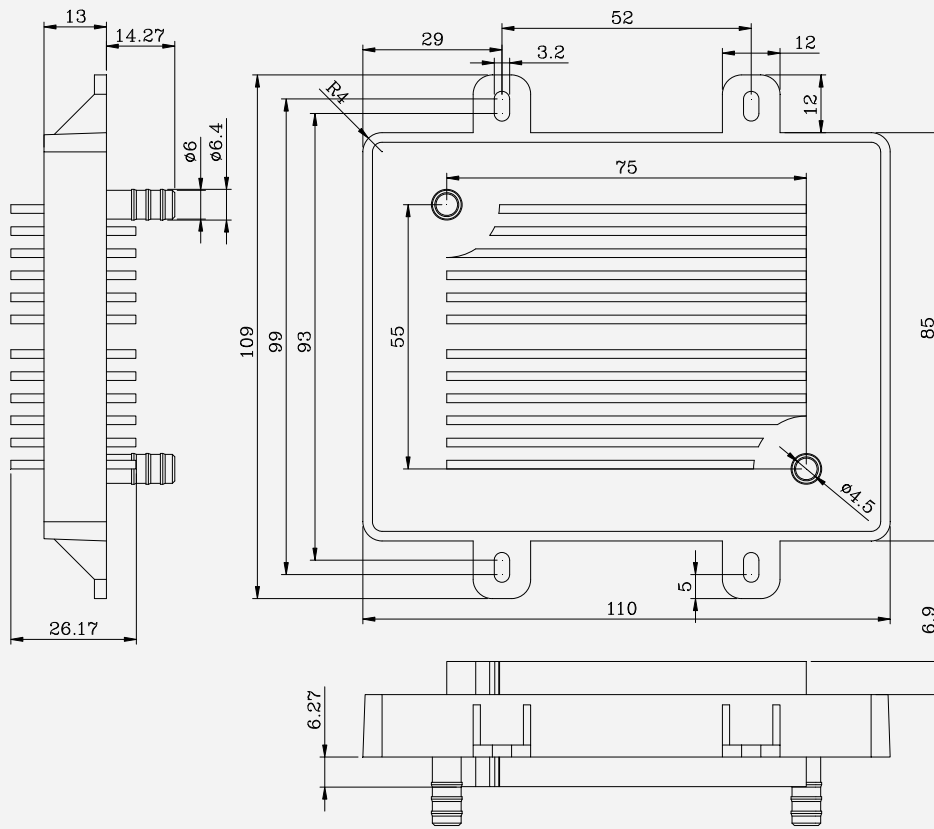


# CHO-0006A Ozone Cell

## Configuration & Dimensions



Unit: mm

Ozone Output: 2.6g/hr max. (Feed gas: pure oxygen)

0.5g/hr max. (Feed gas: dry air)

Ozone Cell weight: 282gs



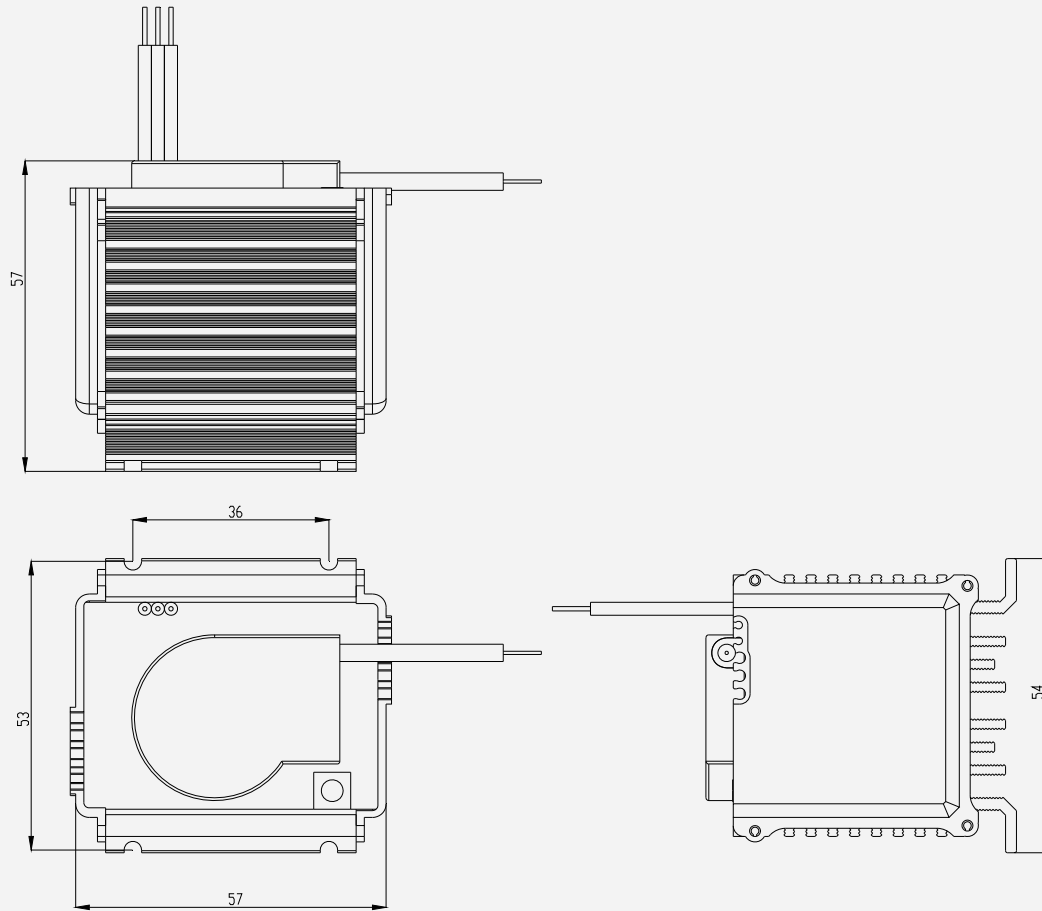
Top View



Bottom View

# CHP-1214A Ozone Power Supply

## Configuration & Dimensions



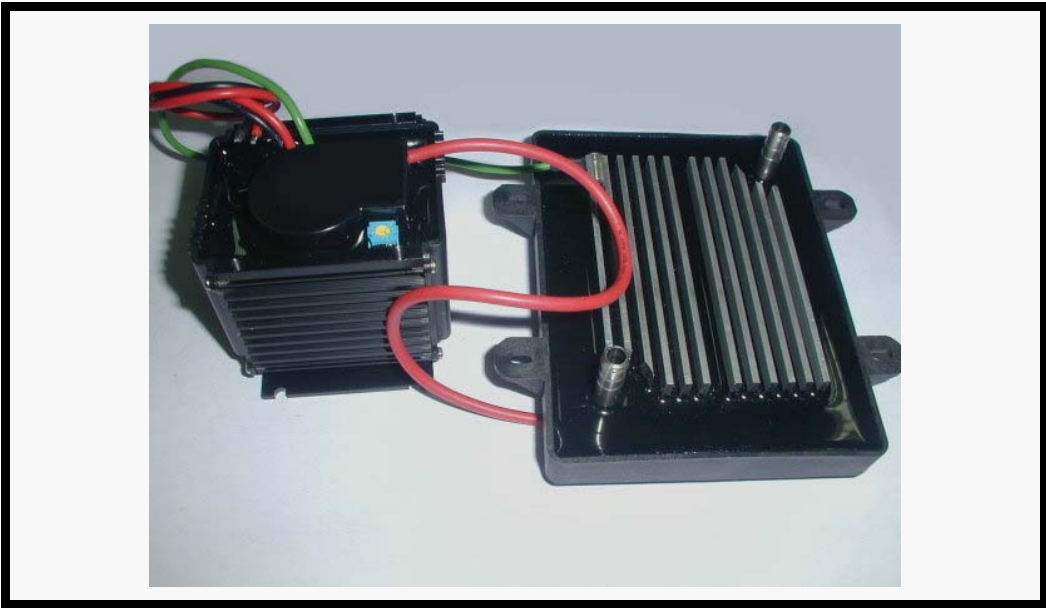
Unit: mm

Input: 24VDC, 35W max.

Ozone Power Supply weight: 222gs



# TEST DATA



Load: CHO-0006A  
HV Power Supply: CHP-1214A  
Ambient Temperature: 25 degrees C  
Relative Humidity: 50%  
Input Voltage: 24V DC

| Input Current | Output Voltage           | Frequency |
|---------------|--------------------------|-----------|
| 1.45A max.    | 3.86KVrms<br>(10.81KVpp) | 16.3KHz   |
| 0.65A min.    | 3.59KVrms<br>(10.00KVpp) | 15.8KHz   |

**Notes:**

1. CHO-0006A Ozone Cell

Feed gas: dry air (less than 10% RH) or pure oxygen

Feed gas temperature: less than 25 degrees C to extend the life of the product

Feed gas pressure: less than 1kg/cm<sup>2</sup> to prevent load from being damaged or broken

Ozone cell outlet pressure: lower than 0.2kg/cm<sup>2</sup> to prevent overpressure situations from occurring inside the ozone cell which could result in a lower ozone production or none ozone production.

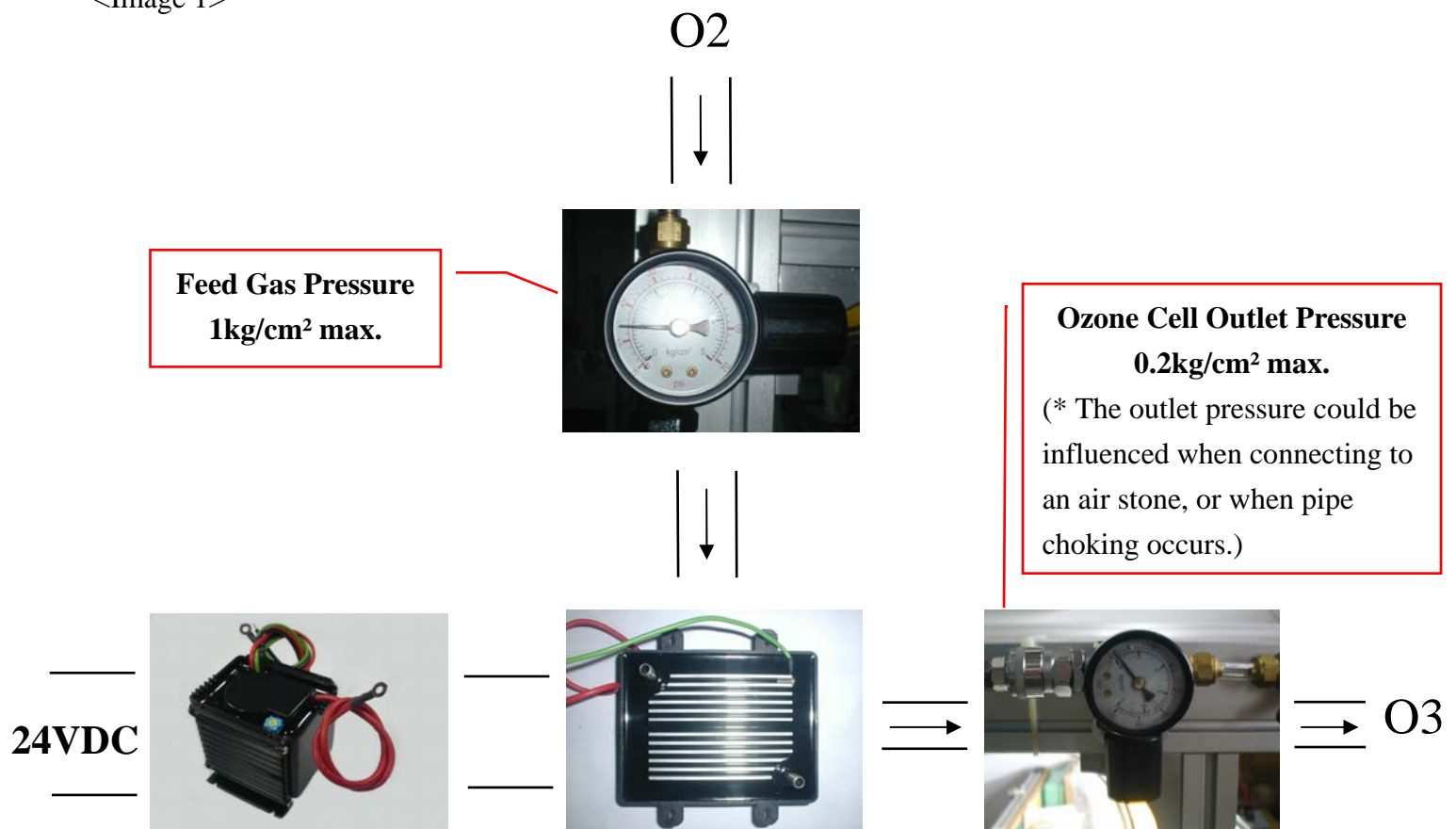
(\* The outlet pressure could be influenced when connecting to an air stone, or when pipe choking occurs.)

(Please refer to image 1)

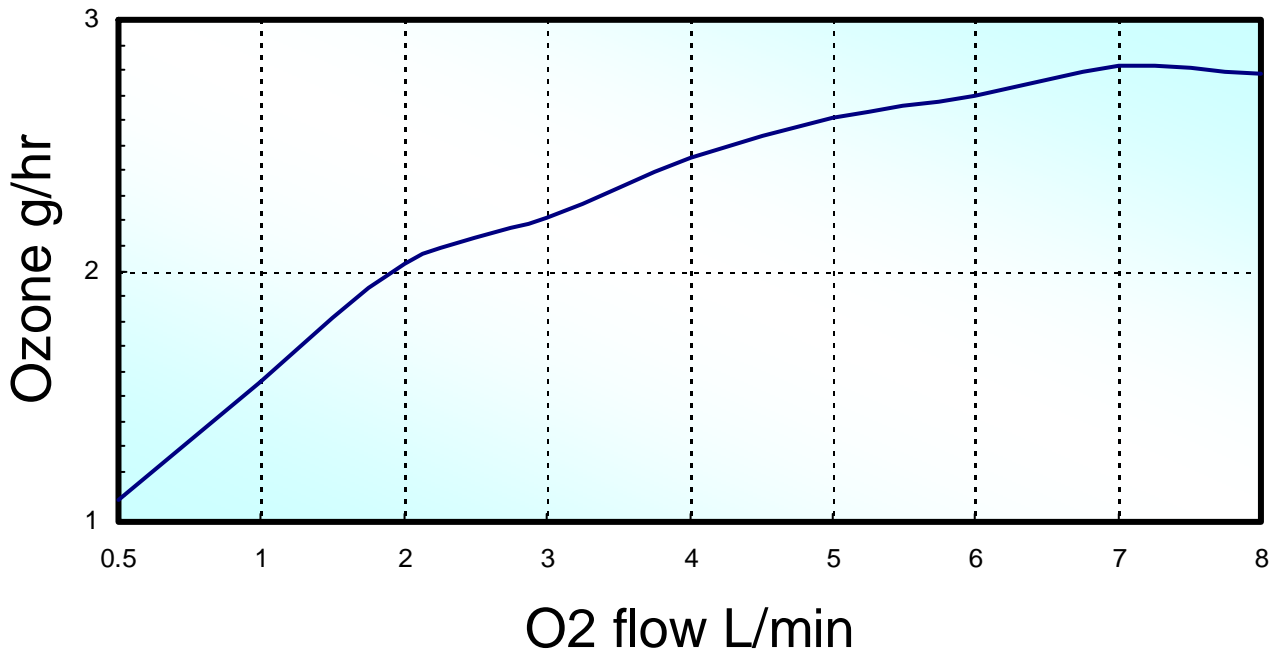
2. CHP-1214A and CHO-0006A: the heat sinks must be kept less than 50 degrees C. It is recommended to install an appropriate cooling fan.

3. Warranty of CHP-1214A and CHO-0006A: 1 year. This warranty does not include damage caused by abuse, misuse, or by acts of vandalism.

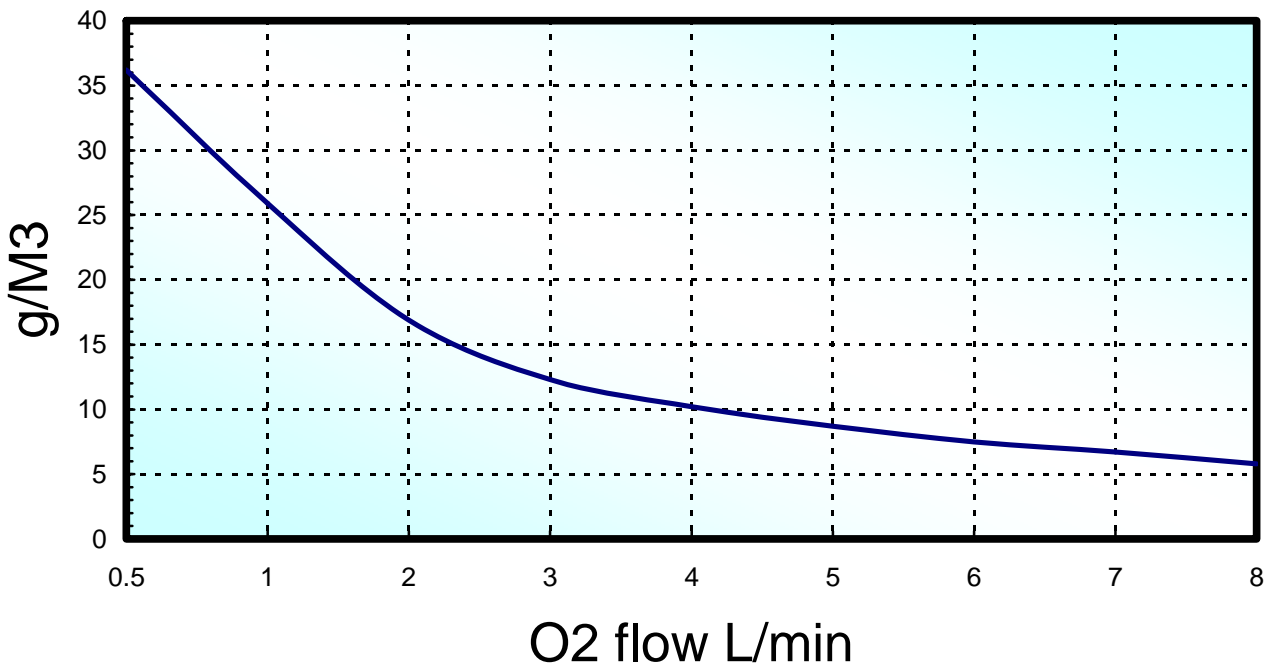
<Image 1>



# CHO-0006A & CHP-1214A



Gas flow measured with electronic massflow meter and rotometer  
Ozone measured with INUSA Mini Hicon UV spectrometer  
Oxygen from concentrator = 90%  
Ambient room temperature 25±2 degrees celsius



Gas flow measured with electronic massflow meter and rotometer  
Ozone measured with INUSA Mini Hicon UV spectrometer  
Oxygen from concentrator = 90%  
Ambient room temperature 25±2 degrees celsius