

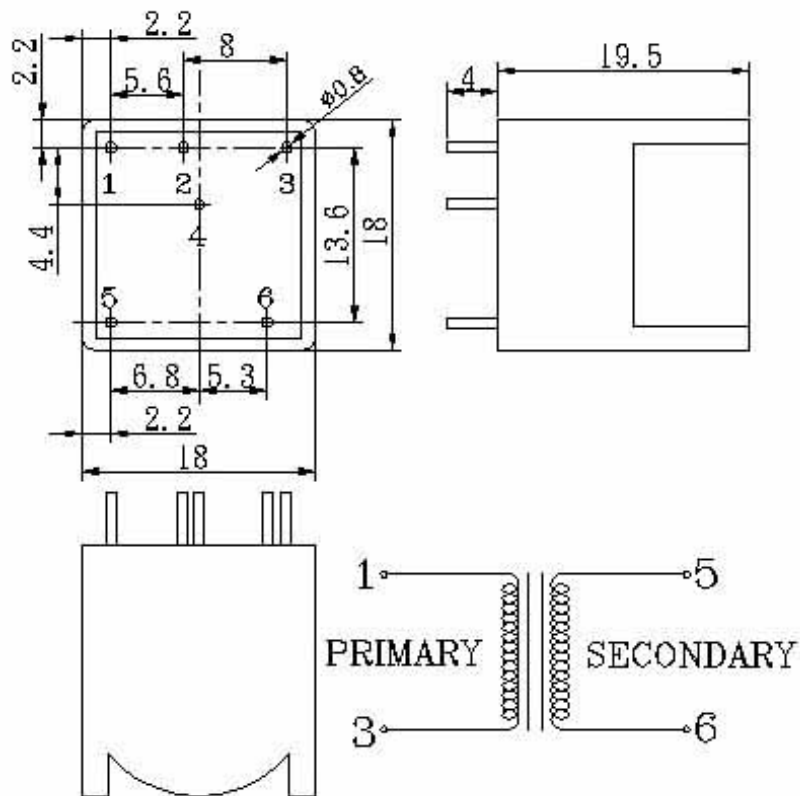
R6x15 Series

Specifications

- Operating Power: 1W
- Input Voltage (Peak-to-Peak): 10V to 200V
- Output Voltage (Peak-to-Peak): 10KV Max.
- I/O Isolation Voltage: 10KV
- Frequency: 60Hz to 5KHz
- Operating Surface Temperature: 0°C to +80°C
- Type: Pulse Transformer

Applications

- Ozone Generator (10mg to 100mg /hr/O₂)
- Ion Generator
- Electrostatic Precipitator
- Electronic Gas Igniter



UNIT: mm

Part Number List

Part Number	Winding	Turns Ratio	Pin - Pin	Inductance	DC Resistance
CH-971015	Primary	1	2 - 1	5.7uH	0.065Ω
	Secondary	180	6 - 3	155mH	0.8KΩ
CH-981121	Primary	1	1 - 3	4.6uH	0.054Ω
	Secondary	96	3 - 6	33.0mH	0.216KΩ
CHT-0011	Primary	1	1 - 3	14.9uH	0.11Ω
	Secondary	140	6 - 5	0.27H	1.1KΩ
CHT-0017A	Primary	1	1 - 3	14.9uH	0.11Ω
	Secondary	80	6 - 5	87mH	0.415KΩ