

## High-Voltage Coil configuration & dimensions

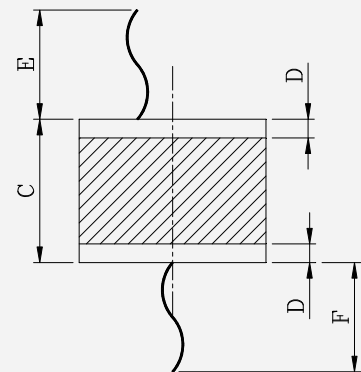
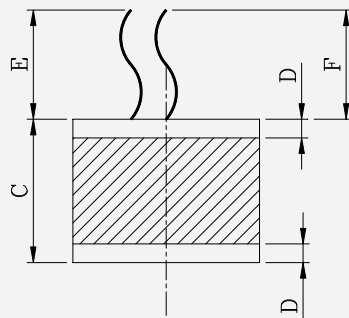
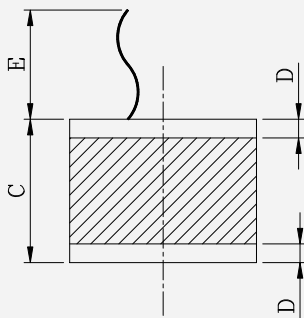
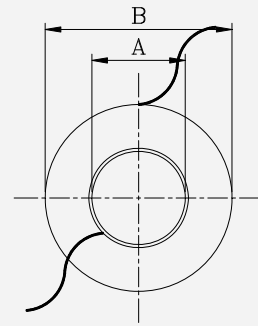
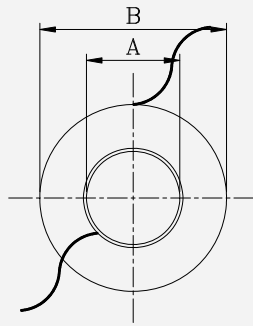
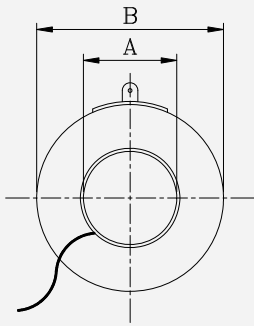


FIG:1

FIG:2

FIG:3

A	Inner Dia.	6.7mm - 23mm
B	Outer Dia.	50mm Max.
C	Width	10mm - 60mm
D	Thickness of the edge	1.5mm Min.
E	The initial side lead wire Dia.	40mm - 60mm
F	The final side lead wire Dia.	40mm - 60mm
	H.V. coil wire Dia.	0.05mm - 0.23mm

